

Product description  
**Modular valve**  
**DDM**

## DESCRIPTION

Measuring valves are the essence of dualine lubrication systems. They are mounted close to the lubrication points and hydraulically operated by pressure from the first and then the second of the two supply lines. On each pressurisation cycle, they indirectly discharge fixed volumes of lubricant to the bearing etc.

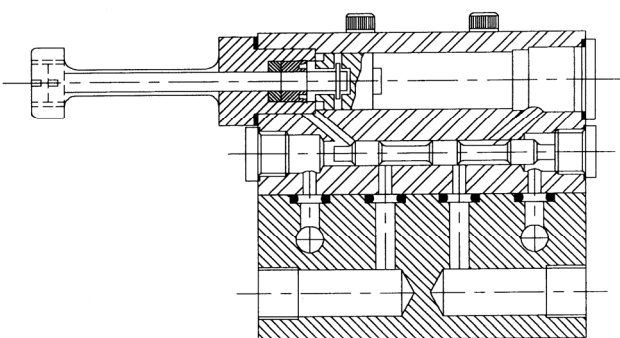
The modular valves have many advantages over traditional line mounted models. All working parts are in the module. The modules are fitted to adaptors which are permanently piped up in the centralised lubrication system. The double discharge module DDM feeds two lubrication points on alternative system cycles.

A mixture of double and single discharge modules can be fitted to each adaptor either for assembly to serve an odd number of bearings or to give a greater lubricant quantity to selected points.

Two sizes of module can be supplied to cover a wide range of metered application volumes.

## BENEFITS

- Each module can be steplessly individually adjusted within its capacity to suit the bearing requirements.
- All moving points are contained in the module.
- A malfunctioning module can be changed in seconds reducing maintenance time and costs.
- Positive hydraulic operation. Within design limitations, these valve assemblies can be mounted many metres from the pump unit.
- Visible indicator showing operation of each module.
- Body protected by corrosion resistant electrophoretic paint.
- Supplied complete with 'O' rings and stainless steel mounting screws.



DDM Modular Assembly



**A. DISTRIBUTOR TYPE** **Code**

DDM

**B. METERED VOLUME** **Code**

DDM 1 (0.1 – 1 cm <sup>3</sup> )	01
DDM 1 (0.1 – 1 cm <sup>3</sup> ) DBL (double indicator)	11
DDM 5 (0.5 – 5 cm <sup>3</sup> )	05
DDM15 (3 – 15 cm <sup>3</sup> )	15

**C. REVISION** **Code**

Status A A

**D. METERING** **Code**

without	00
Motion indicator with cover DDM 1	01
Motion indicator with cover DDM 5	05
Motion indicator with cover DDM15	15

**E. ACCESSORIES** **Code**

without 00

**SPECIFICATION**

<b>Max. Supply Pressure</b>		350 bar
<b>Temperature Range</b>		-20°C to + 120°C (viton seals) -20°C to + 90°C (nitrile seals)
<b>Lubricant</b>		Oil or grease (No. 3 N.L.G.I. max.)
<b>Materials</b>	<b>Body</b>	Steel - Electrophoretically painted
	<b>Pistons</b>	Hardened steel
	<b>Packing Gland</b>	DDM 1 - Brass DDM 5 - Brass DDM15 - Steel
	<b>Seals</b>	DDM1/DDM5 - Viton DDM15 - Nitrile
	<b>Indicator Stem</b>	Stainless steel

Valve Size	Discharge Per Outlet Per Double Cycle (cm <sup>3</sup> )	
	Maximum	Minimum
DDM 1	1.0	0.1
DDM 5	5.0	0.5
DDM15	15.0	3.0



## ORDERING

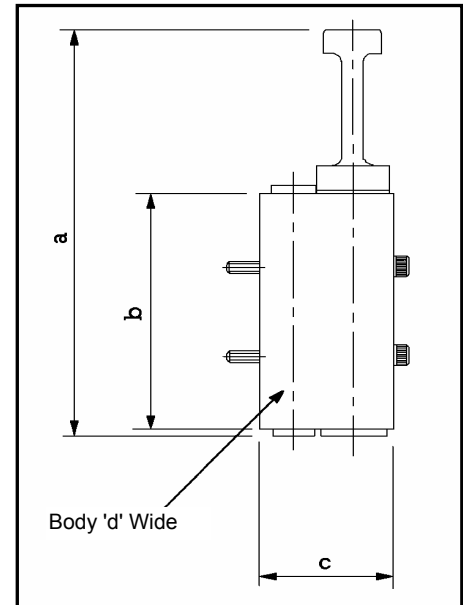
Valve Model	Stock Code	Weight (kg)
DDM1	17510	0.29
DDM5	17550	0.76
DDM15	17570	2.15
DDM1 Blank	17516	0.27
DDM5 / DDM15 Blank	17556	0.71

## MOUNTING

Each module is supplied with four Viton 'O' rings and four M4 stainless steel socket headed cap screws to enable it to be fitted to the selected manifold adaptor.

## DIMENSIONS

Model	Dimensions			
	a	b	c	d
DDM1	91	57	30	25
DDM5	140	80	38	31
DDM15	157	88.9	39.7	76.2



## EXAMPLE OF ORDERING

		Code									
		D	D	M	0	1	A	0	1	0	0
Distributor type DDM	Code: DDM	D		D		M					
Metered volume 0.1 – 1 cm <sup>3</sup>	Code: 01			0		1					
Revision Status A	Code: A					A					
Metering Motion Indicator with Cover DDM1	Code: 01							0		1	
Accessories without	Code: 00									00	



**DELIMON  
Zentrale**

Arminstraße 15  
D-40227 Düsseldorf  
Postfach 10 20 52  
D-40011 Düsseldorf  
Telefon: +49 211 7774 0  
Telefax: +49 211 7774 210  
info@delimon.de  
www.delimon.de

**DELIMON  
Niederlassung Beierfeld**

Am Bockwald 4  
D-08344 Grünhain-Beierfeld

**DELIMON  
Österreich**

Am Spitz 2-3 / Schloßhofer Str. 4-6  
Stiege 4, Top 20  
A-1210 Vienna  
Telefon: +43 1 585 66 17  
Telefax: +43 1 585 66 17 50  
info@delimon.at  
www.delimon.at

**LUBRIMONSA  
Spain**

Avda. Txori-Erri 38  
48150 Sondica - (Vizcaya)  
Teléfono: +34 94 453 20 00  
Fax: +34 94 453 25 00  
sales@lubrimonsa.es

**DELIMON-Denco Lubrication  
DELIMON-Cooling  
United Kingdom**

Ramsden Court, Ramsden Road  
Rotherwas Industrial Estate  
Hereford  
HR2 6LR  
Phone: +44 (0) 1432 365 000  
Fax: +44 (0) 1432 365 001  
info@delimon.co.uk  
www.delimon.co.uk



**BIJUR Products, Inc.  
France**

BP 50  
ZI de Courtabœuf  
5, Avenue de l'Atlantique  
91942 Les Ulis Cedex  
Tél.: +33 1 692 985 85  
Fax: +33 1 690 776 27  
contact@bijur.fr

*Für reibungslose Bewegung  
For smooth motion*

